



DATA SHEET

Polycom® SoundStructure SR12

Truly immersive audio experience for voice and video conferencing

The Polycom SoundStructure SR12 installed audio solution delivers powerful and flexible audio processing for any commercial sound application that does not require conferencing capabilities. Either alone or linked with up to seven additional systems, the SoundStructure SR12 system is an ideal solution for any sound

application, including houses of worship, stadiums, conference centers, hotels, night clubs, and restaurants. A powerful gain sharing automixer with automatic gain control on all inputs ensures consistent microphone pickup in all environments and flexible equalization, dynamics, and cross-over processing enable a broad range of applications. Feedback elimination on all inputs prevents embarrassing acoustic feedback and provides for flexible microphone and loudspeaker placement, and unrivaled noise cancellation technology removes the broadest range of background noises. A central matrix mixer that seamlessly scales from 12 up to 96 inputs and outputs makes setting up multi-zone audio systems a snap.

In addition, the SoundStructure model SR12 features the same flexibility and ease of installation as the SoundStructure C-Series conferencing products, and is a perfect way of adding 12 additional nonconferencing inputs (such as other line level audio sources) and outputs to a SoundStructure conferencing system. An innovative OBAM matrix architecture enables multiple SoundStructure units to work together as one large system for unparalleled scalability and flexibility. All SoundStructure products leverage advanced signal grouping, labeling and submixing that let you leverage yesterday's work during today's installation, saving time and money. Plus, exclusive SoundStructure Studio software from Polycom makes configuration easy, and is powerful enough to handle the most challenging acoustic designs.

About Polycom

Polycom is the global leader in standards-based unified communications (UC) solutions for telepresence, video, and voice powered by the Polycom® RealPresence® Platform. The RealPresence Platform interoperates with the broadest range of business, mobile, and social applications and devices. More than 400,000 organizations trust Polycom solutions to collaborate and meet face-to-face from any location for more productive and effective engagement with colleagues, partners, customers, specialists, and prospects. Polycom, together with its broad partner ecosystem, provides customers with the best TCO, scalability, and security for video collaboration, whether on-premises, hosted, or cloud-delivered. Visit www.polycom.com or connect with Polycom on Twitter, Facebook, and LinkedIn.

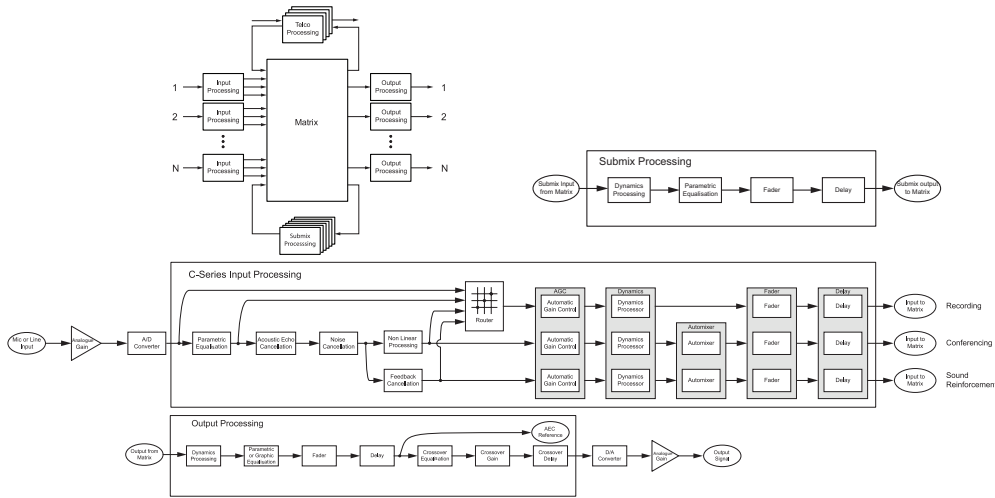


Benefits

- **Breakthrough feedback elimination** – Enables more flexible microphone, talker, and loudspeaker placements and speech reinforcement
- **Unrivaled noise cancellation technology** – Removes the broadest range of background noises from your audio inputs
- **Gain sharing automatic microphone mixer** – Improved automixer experience ensures smoother transitions and robust performance in a variety of operating environments
- **OBAM™ matrix architecture** – Connect multiple units together to create larger systems without the limitations of traditional bussing
- **SoundStructure Studio** – Powerful Windows-based software for efficient design and configuration; use it to easily set up a basic system, or use its powerful customization tools for more complex environments
- **Integrated Ethernet** – Control and manage the system from anywhere on the network

Polycom SoundStructure SR12 Specifications

Block Processing Diagram



Back of Unit



Dimensions

- 19" x 13.5" x 1.75" in (483 x 1343 x 45 mm) (W x L x H) (one rack unit)

Weight

- 12 lbs. (5.5 kg) dry, 14 lbs. (6.4 kg) shipping
- Connectors
- RS-232: DB9F
- OBAM In/Out: IEEE 1394B
- CLINK2 : RJ45
- LAN: RJ45
- Control /Status: DB25F
- Audio: Mini (3.5mm) quick connect terminal blocks
- IR Receive: Mini (3.5mm) quick connect terminal block

Power and Thermal

- Internal supply
- Input voltage of 90-250 VAC; 50-60 Hz; line power requirements (including 0.6 PF): 105VA (SR12)
- Thermal dissipation (Btu/hr): 215 Btu/hr
- 0 to 40°C operating temperature

Inputs

- Phantom power: 48 V DC through 6.8kOhm series resistor per leg, 7.5mA per channel, software selectable

- Analog input Gain: -20 to 64 dB on all inputs in 0.5 dB steps, software adjustable
- Maximum input amplitude: +20.4 dBu, 1% THD + N
- Nominal level: 0 dBu (0.775V rms)
- Equivalent input noise: <-122 dBu, 20 - 20,000 Hz, Rs=150 Ohms (1%)
- Input Impedance: 10 kOhms
- Input EMI Filter: Pi filter on all audio inputs

Outputs

- Output Gain: -100 to 20 dBu in 1 dB steps, software adjustable
- Maximum output amplitude: +23 dBu, 1% THD + N
- Nominal output level: 0 dBu (0.775 V rms)
- Output impedance: 50 Ohm, each leg to ground, designed to drive loads > 600 Ohms
- Output EMI Filter: Pi filter on all audio outputs

System¹

- Frequency response: 20-22,000 Hz, + 0.1/- 0.3 dB
- Idle channel noise: <-109 dB FS no weighting, 20 - 20,000 Hz, -60dB FS, 0.997 kHz input signal, 0 dB gain

- Dynamic range: >109 dB FS no weighting, 20 - 20,000 Hz, -60 dB FS, 0.997 kHz input signal, 0 dB gain
- Linearity: 0 dB FS to -122 dB FS +/- 1 dB
- THD+N: < 0.005%, -20 dB FS input signal
- Common Mode Rejection Ratio: <-61 dB, 20 - 20,000 Hz, no weighting
- Cross talk: <-110 dB, 20-20,000 Hz, 1kHz, channel-to-channel
- Latency: Mic/Line inputs to outputs: 5msec, 20 msec with NC processing enabled
- Noise cancellation: 0-20 dB, software selectable
- Control Inputs: Contact closure
- Status Outputs: Open collector 60V and 500mA maximum per output
- All signal ground pins connected to chassis ground through low impedance planes

¹ Unless noted, all values are valid for all channels at 0dB input gain

Polycom, Inc.
1.800.POLYCOM
www.polycom.com

